



云智科技
YDEACHN.COM

Service Hotline: 400-666-9216



Brightness sensor Specification

LS2.0

Version: V02 Date: 2017-08-02

Product Summary

Brightness sensor LS 2.0 is mainly used for light intensity changes, automatically adjust the brightness of the LED display, the requirements for customers. The company designed a sense of timing adjustment and light are two ways to adjust the display brightness control.

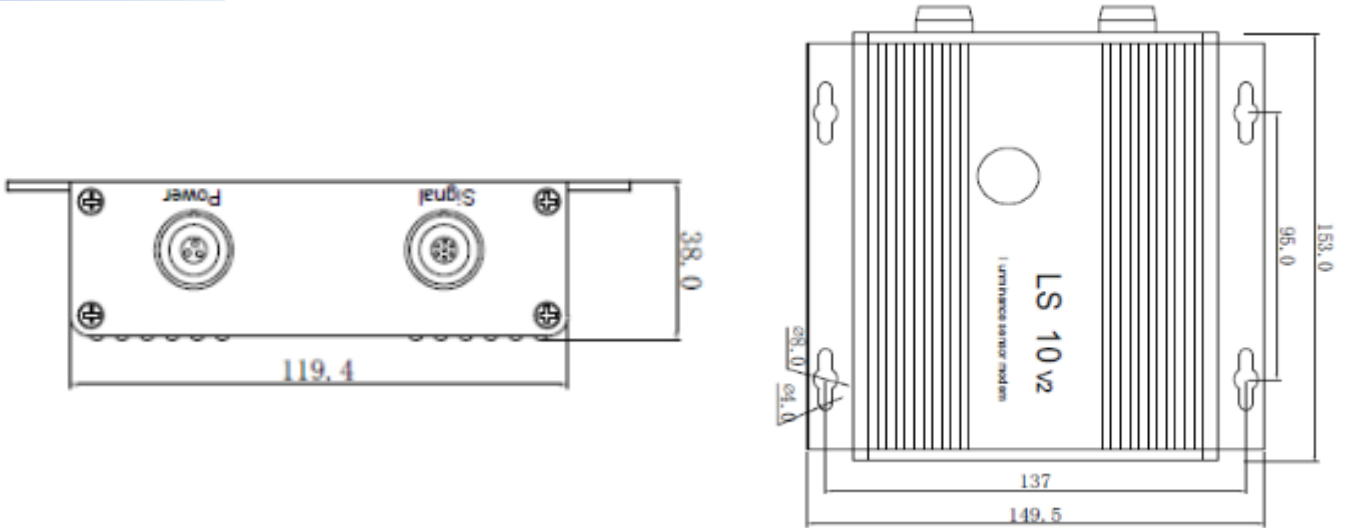
Product Feature

- Detects ambient brightness automatically adjusts the screen brightness.
- Connected to a computer control.
- 100-240VAC 50 / 60HZ AC power supply
- 1 input signals A, a B input signals.
- Control Support USB-485.
- Light data support the range 0 ~ 65530Lux.
- Support timing adjustment and two automatic light sensor to adjust Brightness adjustment Screen mode.
- Built-in independent power supply for easy connection.

Technical Specifications

Interface	1 channel signal A input, 1 channel signal B input	Operating temperature	0°C-50°C
Light range	0-65530Lux	Operating Humidity	5% -95%
Signal output	4 ~ 20 mA current loop	Operating voltage	100-240VAC 50/60HZ
Accuracy	± 5% (scale range)	Dimensions	Length 145 * width 150 * height 36 (mm)
Control Support	USB	Weight	0.5 Kg

Chassis Dimensions



Brightness sensor connection diagram

